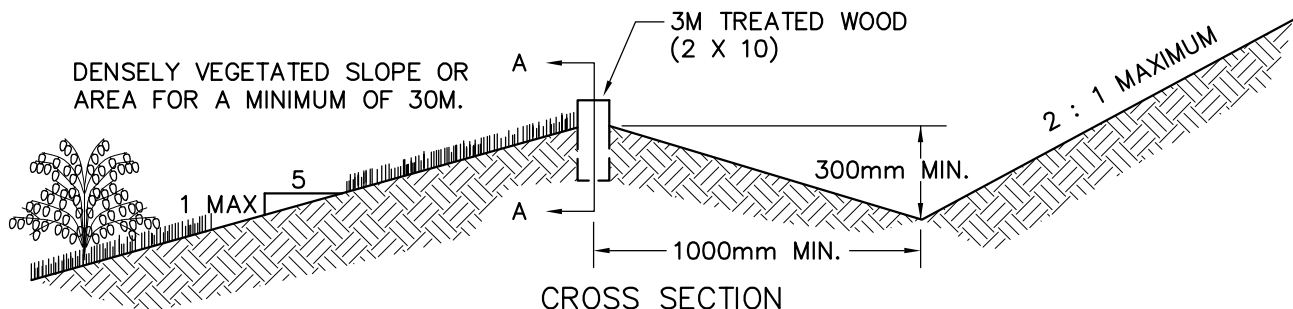
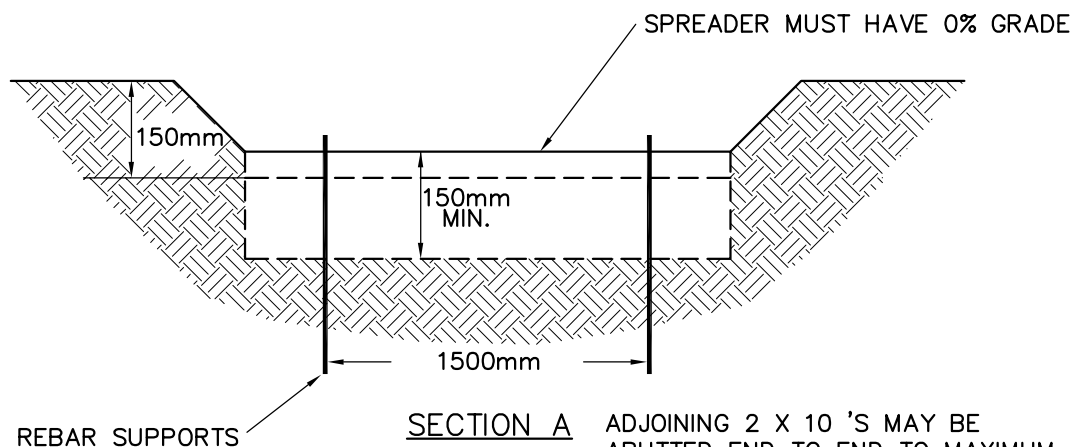


GRAVEL BERM CROSS SECTION



CROSS SECTION



ADJOINING 2 X 10 'S MAY BE ABUTTED END TO END TO MAXIMUM SPREADER LENGTH OF 15M.

NOTES:

1. PURPOSE IS TO CONVERT CONCENTRATED RUNOFF TO SHEET FLOW AND RELEASE IT ONTO UNDISTURBED AREAS WITH EXISTING VEGETATION, FOR THE PURPOSE OF INCREASING INFILTRATION AND DECREASING RUNOFF VOLUME.
2. THE SLOPE LEADING TO THE SPREADER SHOULD BE LESS THAN 1% FOR AT LEAST 7M IMMEDIATELY UPSTREAM IN ORDER TO HAVE SLOW VELOCITIES IN THE SPREADER.
3. CONSTRUCT ONLY ON NATURAL SOIL, NOT ON FILL MATERIALS.
4. ONLY MEANT FOR SMALL VOLUMES.
5. ANY DAMAGE TO THE SPREADER SHALL BE IMMEDIATELY REPAIRED.
6. THE DOWNSLOPE AREA SHALL BE CHECKED FOR SIGNS OF EROSION AND TO VERIFY THAT THE SPREADER IS NOT CREATING A POINT DISCHARGE. ANY ERODED AREAS SHALL BE IMMEDIATELY STABILIZED.

TEMPORARY LEVEL  
SPREADER BAR



DRAWN: 2002 05 31

REVISED: 2010 07 26

APPROVED BY:

ES - EC - 10